

BABY WOLF HIGH CASTLE TRAY

ASSEMBLY INSTRUCTIONS



4-shaft Baby Wolf shown with optional High Castle Tray, Stroller, Wolf Trap, and Sectional Beam



Find out more at schachtspindle.com
Schacht Spindle Company 6101 Ben Place Boulder, CO 80301
p. 303.442.3212 f. 303.447.9273

© 2011 Schacht Spindle Company, Inc.

BABY WOLF HIGH CASTLE TRAY

ASSEMBLY INSTRUCTIONS

PARTS

- 2 – Castle extensions
- 2 – High castle cross supports
- 1 – Tray
- 4 – #8 x 1" truss head wood screws
- 8 – #8 x 1 1/2" truss head wood screws

TOOLS

- Phillips screwdriver
- Drill and 1/8" drill bit

ASSEMBLY

If your loom does not have holes on the castle sides, you will need to drill holes for the high castle tray. If your loom already has holes, proceed to step 4.

1. Mark the positions of the holes you need to drill in the castle sides of your loom. Hold one of the castle extensions firmly in place on top of one of the castle sides (figure 1). Make sure that the castle extension is flush with the edges of the castle side. Insert two 1" wood screws into the holes in the castle extensions and tap them lightly with a hammer.
2. Using a 1/8" diameter drill bit, drill the holes 5/8" deep. It is very important to drill these holes accurately and level.
3. Mark and drill the other castle extension to castle side.

4. Attach the castle extensions to the castle sides with the 1" wood screws.
5. Orient the high castle cross supports with the small ledge on the bottom inside. Attach the high castle cross supports (front and back) to the castle extensions with the 1 1/2" wood screws.
6. Place the tray between the cross supports, resting on the ledges. 🏰

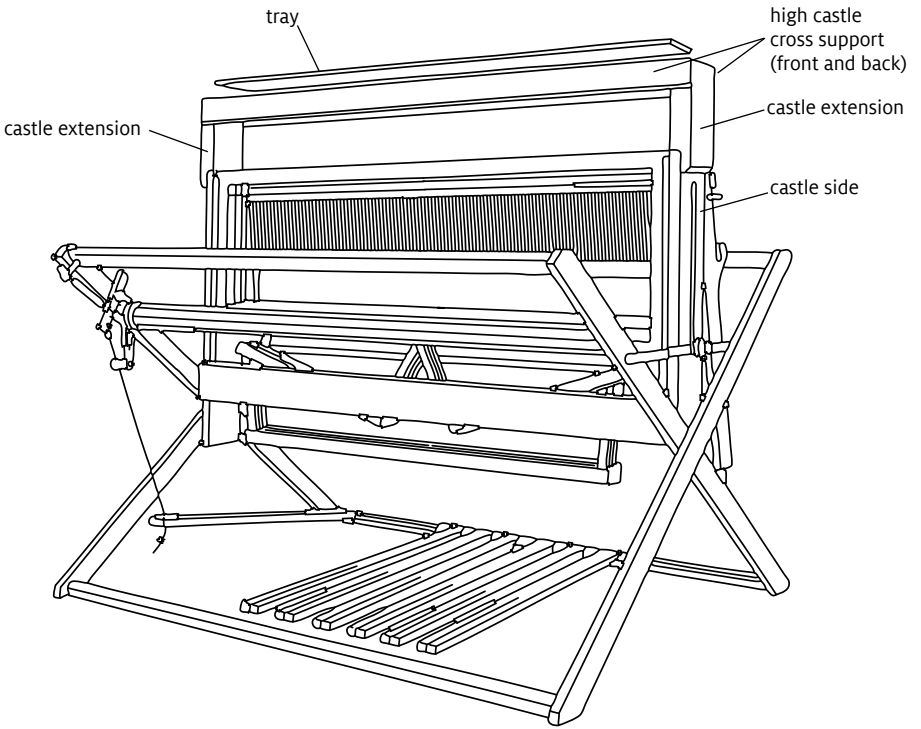


FIGURE 1

OTHER WEAVING ACCESSORIES



Double Back Beam
(shown on 8 shaft Baby Wolf)



Wolf Loom Riddle



Wolf Trap



Sectional Beam