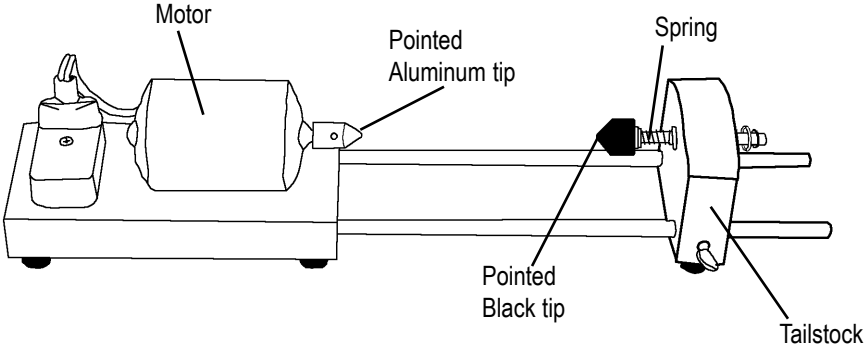




Double-Ended Electric Winder Instructions



Schacht Spindle Company, Inc.
6101 Ben Place, Boulder, CO 80301
info@schachtspindle.com • 303-442-3212 • www.schachtspindle.com



Double-Ended Electric Winder Instructions

This winder will hold bobbins, pirns and spools up to 9" long with flanges of up to four inches in diameter.

Loading Bobbins:

1. Place one end of the bobbin on the pointed aluminum tip which is attached to the motor.
2. Loosen the thumb screw and slide black pointed tip on the tailstock into the other end of the bobbin.
3. Make sure to push the pointed black tip in so that the spring is slightly compressed.
4. To change bobbins, pull the bobbin off the pointed aluminum tip by compressing the spring.
5. To put on a new bobbin of the same size, put one end on the pointed black tip on the tailstock, compress the spring and slip the other end onto the pointed aluminum tip.

Maintenance

Occasionally put a small drop of oil on the shaft in the moveable end of the bobbin winder. Also occasionally put small drop of oil in the very small holes at each end of the motor near the center of the ends.

Note: It is normal for the motor and foot pedal of the bobbin winder to get quite hot during use. Always wear shoes when using the bobbin winder.

