

TRESTLE FLOOR STAND

ASSEMBLY INSTRUCTIONS



TRESTLE STAND SHOWN WITH FLIP LOOM AND FLIP TRAP



Find out more at schachtspindle.com
Schacht Spindle Company 6101 Ben Place Boulder, CO 80301
p. 303.442.3212 f. 303.447.9273

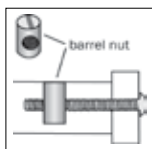
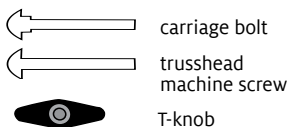
TRESTLE FLOOR STAND

PARTS

- 2 uprights
- 2 bases
- 2 adjuster bars
- 2 cross braces

TOOLS NEEDED

- Phillips screwdriver
- Hammer
- Flathead screwdriver (optional)
- 5/16" drill bit (for tapestry looms)



HARDWARE

- 2 - 3½" trusshead machine screws
 - 2 - 2½" trusshead machine screws
 - 2 - 2" trusshead machine screws
 - 4 - barrel nuts
 - 2 - wing nuts
 - 2 - washers
 - 2 - large fender washers
 - 2 - ¾" nylon spacers
 - 2 - 1¼" nylon spacers
 - 2 - 1¼" round black knobs
 - 2 - 2" round black knobs
 - 2 - 2½" round black knob
- For standard RH and Tapestry looms:
- 2 - oblong black T-knobs
 - 2 - 2½" carriage bolts
 - 2 - propeller nuts

BEFORE YOU START

All non-folding rigid heddle looms, as well as Flip looms built before late February 2010, do not have a threaded insert in the loom sides. Contact your dealer or Schacht for an Insert Kit and instructions.

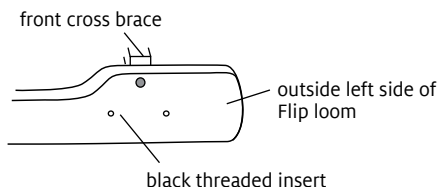
TAPESTRY LOOMS:

- On the loom sides, locate the holes about 3" above the bottom bar (see the tapestry loom assembly manual).
- On both sides of the loom, ream out the hole using a 5/16" drill bit.
- From the inside of the loom, insert the propeller nuts into the holes.

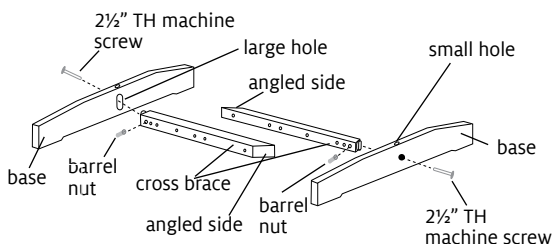
ATTACH THE CROSS BRACES TO THE BASES

- Orient both bases with the large holes facing each other.
- Orient the cross braces with the angled sides facing away from each other as shown in the diagram.
- Use 2½" trusshead (TH) machine screws and barrel nuts to attach the cross braces to the bases as shown in the diagram.
- As you continue assembling the

Stand hardware is included for Flip, Standard Rigid Heddle, and Tapestry Looms. Not all parts will be used.



CHECK FOR BLACK THREADED INSERT (FLIP LOOM SHOWN)



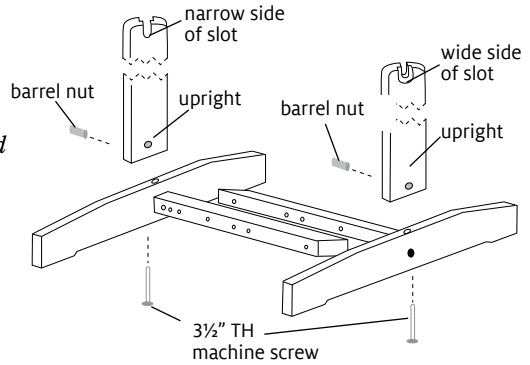
ATTACH CROSS BRACES TO BASES

stand, keep the left side cross brace in front as shown in the diagrams.

ATTACH THE UPRIGHTS TO THE BASES

Keep the left side cross brace in front and positioned as shown in the diagram.

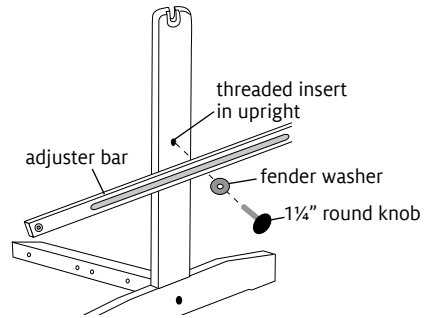
- Position the wide side of the slot in the top of the upright toward the outside of the base.
- Use the 3½" TH machine screws and barrel nuts to attach the uprights to the bases.



ATTACH UPRIGHTS TO BASES

ATTACH THE ADJUSTER BARS TO THE STAND

- Place a large fender washer on a 1¼" round black knob.
- Insert the knob into the long slot on the adjuster bar.
- With the adjuster bar on the outside of the stand, fasten the knob into the threaded insert in the stand upright.
- Repeat for the other side.



ATTACH ADJUSTER BARS TO THE STAND

PLACE THE LOOM ON THE STAND

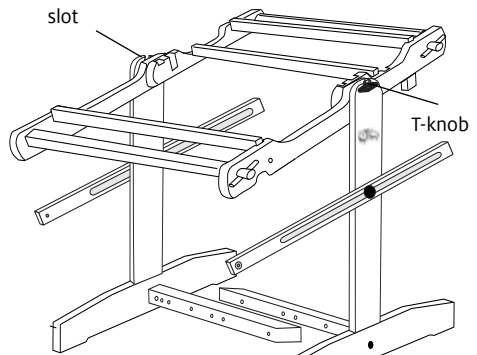
Keep the left side cross brace in front and positioned as shown in the diagram.

FLIP:

- Unscrew the oblong T-knobs on the Flip loom about half an inch.
- Slide the T-knobs into the slots in the tops of the uprights.
- If the bolt in the T-knob is not long enough to place the loom on the stand, remove it and replace it with a 2½" carriage bolt. Be sure to orient the square head of the carriage bolt with the hole in the loom side.

RIGID HEDDLE:

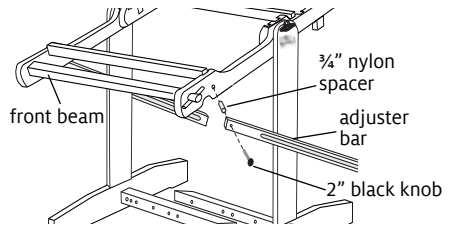
- From the inside of the loom, push a 2½" carriage bolt through the hole in the middle of the loom side.
- With a hammer, tap the carriage bolt into the wood.
- Loosely fasten the oblong T-knob to the bolt.
- Slide the T-knobs into the slots in the tops of the uprights.



PLACE LOOM ON STAND

TAPESTRY:

- From the inside of the loom, push a 2½” carriage bolt through the hole in the middle of the loom side.
- With a hammer, tap the carriage bolt into the wood.
- Loosely fasten the T-knob to the bolt.
- Slide the T-knobs into the slots in the tops of the uprights.



ATTACH ADJUSTER BARS TO LOOM

SECURE THE LOOM

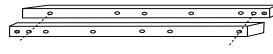
ALL LOOMS:

Tighten the T-knobs so that the loom is secure but can still swivel on the uprights.

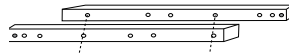
ATTACH THE ADJUSTER BARS TO THE LOOM

FLIP:

- Push the 2” round black knob through the hole in the adjuster bar.
- Place a ¾” nylon spacer on the threaded part of the knob.
- Fasten the knob into the insert in the side of the loom.



Flip Loom 15”



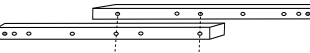
Flip Loom 20”



Flip Loom 25”



Tapestry Loom 18”



Tapestry Loom 25”

TAPESTRY:

- Push the 2½” round black knob through the hole in the adjuster bar.
- Place a 1¼” nylon spacer on the threaded part of the knob.
- Fasten the knob into the insert in the side of the loom.

RIGID HEDDLE:

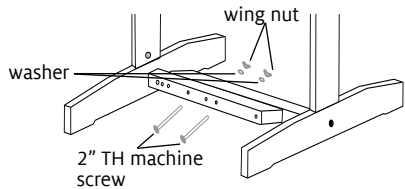
- Push the 2½” round black knob through the hole in the adjuster bar.
- Place a ¾” nylon spacer on the threaded part of the knob.
- Fasten the knob into the insert in the side of the loom.

SECURE THE CROSS BRACES

Keep the left side cross brace in front and positioned as shown in the diagram.

ALL LOOMS:

- Locate the set of holes that are aligned in the cross braces. The diagrams to the right show the alignment of the cross braces for the different looms.
- Put 2” TH machine screws through the cross braces. Put a washer on the screw and secure with a wing nut. ■



SECURE THE CROSS BRACES