

FLIP TRAP

INSTALLATION INSTRUCTIONS

Flip Trap

PARTS

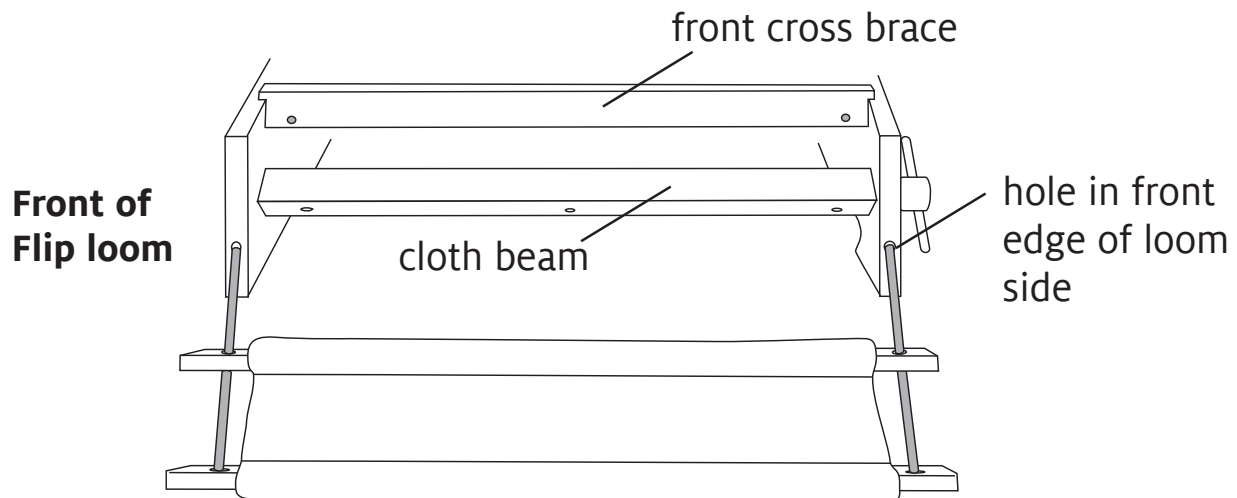
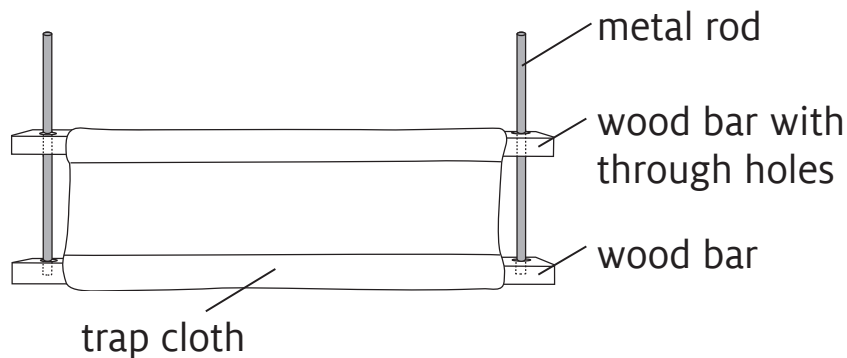
- 2 – wood bars, one with through holes
- 2 – metal rods
- 1 – trap cloth

TOOLS NEEDED

hammer or mallet

Assembly

1. Slide the wood bars through the sleeves in the long sides of the trap cloth.
2. Push the metal rods through the holes in the wood bar, then into the holes of the second bar.
3. Insert the free ends of the metal rods into the holes in the front of the Flip loom sides. Push into place, or gently tap with a hammer or mallet.



Find out more at schachtspindle.com
Schacht Spindle Company 6101 Ben Place Boulder, CO 80301
p. 303.442.3212 f. 303.447.9273

© 2017 Schacht Spindle Company, Inc.

01.17