

TABLE LOOM

ASSEMBLY INSTRUCTIONS



4 Shaft Table Loom



Find out more at schachtspindle.com
Schacht Spindle Company 6101 Ben Place Boulder, CO 80301
p. 303.442.3212 800.228.2553 f. 303.447.9273

TABLE LOOM

ASSEMBLY INSTRUCTIONS

PARTS

- 1 - Base assembly
- 1 - Castle assembly
- 1 - Beater assembly
- 1 - Reed
- 2 - Castle braces
- 2 - Lease sticks
- 3 - Apron bars

Arrow pegs - 4 for 4S; 8 for 8S
 Lever cords - 4 for 4S; 8 for 8S; 21½" long
 Heddle bars - 8 for 4S; 16 for 8S

- Heddles -
 - 4S Looms: 300 for 15" and 20"; 400 for 25"
 - 8S Looms: 300 for 15"; 400 for 20"; 500 for 25"
- Heddle bar hooks (25" looms only): 8 for 4S; 16 for 8S
- 4 - #8 x 1½" trusshead screws (for 8S only)
- 4 - Rubber bumpers
- 2 - Barrel nuts
- ¼" x 1-1/8" trusshead screws (6 for 4S; 12 for 8S)
- 2 - ¼ x 3" flathead machine screws
- 1 - 16" Apron cords (6 for 15"; 8 for 20"; 10 for 25")

ASSEMBLY INSTRUCTIONS

1. Unpack the table loom and remove all of the packing material and tape. Locate the small plastic bag which contains the hardware and the apron cords for your loom (see parts list).

2. For 8S Table loom only:

In order to ship securely the cross brace is temporarily secured in the slot. Remove the screws and discard them. Reposition the cross brace in the same slot so that it can be secured using the four #8 x 1½" trusshead screws from the hardware pack.

3. Attach the castle. Loosely secure the castle braces to the rear legs with 3" flathead machine screws and barrel nuts. Place the castle assembly between the sides of the loom frame and secure it, threading the 1-1/8" trusshead screws through each loom side into the inserts on the inside of the castle side (2 per side on the 4S, 4 on the 8S). Secure the castle brace to the castle side in the same manner (D) (1 screw per side on the 4S, and 2

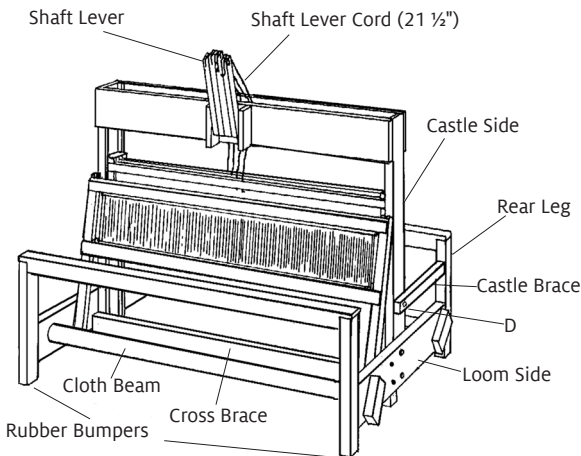


FIGURE 1: ASSEMBLED 4-SHAFT LOOM

per side on the 8S). Tighten the screw at the rear of the castle brace.

4. Attach the rubber bumpers. Peel the backing off and press them into the indentations in the bottom of the legs.

5. Attach the apron bars. There is one apron cord for each hole in the cloth and warp beams. Take an apron cord and insert one end a few inches through one

of the holes in either the cloth or warp beam then pull the other end of the apron cord through the second full loop of the apron cord that was pulled through the beam. Pull firmly on the cord to tighten it around the beam (figure 2A). Repeat this procedure across each of the beams.

6. To attach the apron bar to the apron cords, start with the free hanging end of a cord on the outermost end of the beam. Fold the end of the cord about 4" from the end and insert this doubled cord through the second full loop on the end of the cord (Fig. 2B). Slide the apron bar through the loop formed by the doubled over cord at point X. Pull the cord tight. Repeat across the entire beam (Fig. 2C).

7. Install the heddles (see Figure 3 to learn the names of the shaft parts). Remove the shafts from the bottom of the castle. Lay two heddle bars on a flat surface. Count out the heddles for the first shaft, and carefully transfer them in a single bunch from the holding bar or cord

to the heddle bars. Place the heddle bars in the shaft. First fit one end of the heddle bar into the slot on one side of the shaft. Then flex the heddle bar slightly and fit the other end into the slot on the other side of the shaft.

For 25" looms there are heddle bar hooks (2 per shaft) to support the heddle bars. Slip the hooks through the holes near the center of the top and bottom shaft frame. Bend the heddle bar slightly to snap it into the hook.

8. Attach the lever cords to the shafts. Tie a knot (Figure 4A, page 4) in one end of each of the lever cords. To make the knot, fold over one end of the cord and insert it into the first full hole at the other end. Pull the cord through, leaving the loop open (Fig 4B). Bring the free end of the cord over and then through the loop and pulling it closed to form a knot (Fig 4C).

Insert the unknotted end of the lever cord

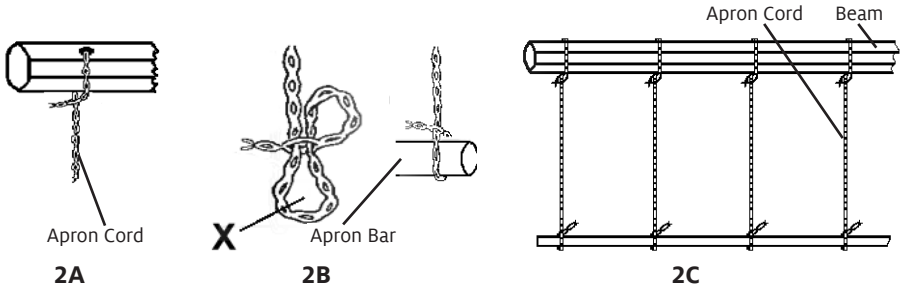


FIGURE 2: APRON CORDS

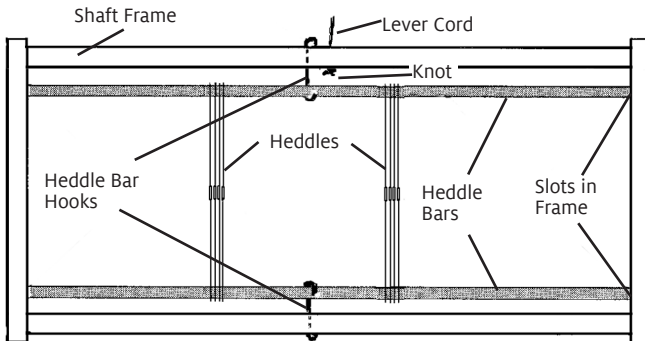


FIGURE 3: HEDDLES / SHAFTS

up and through the hole drilled through the top beam of the shaft frame (see Figure 3). Pull the lever cord until the knot is snug against the underside of the shaft frame.

9. Attach the lever cords to the levers. Insert the shafts back into the castle up from the bottom. Put the shaft levers in the up position. Insert the lever cord end through the hole in the back of the lever (see Figure 5). You may need a thin tool to push the cord through. Adjust the top of the shaft side to a height of 5¼" below the top of the castle (see Fig. 6). Insert an arrow peg through the hole in the lever cord closest to the center hole on the front of the lever. Secure the arrow peg into the center hole of the lever. Repeat for the remaining shafts.

You can determine if you want the left lever or the right lever tied to the first shaft at this time.

On 4S looms the cords from the first and second shafts go over the front small dowel in the top of the castle behind the levers. The cords from the third and fourth shafts go over the rear small dowel.

On 8S looms the first and second cords go over the front dowel, the third and fourth go over the second dowel, the fifth and sixth go over the third dowel, and the seventh and eighth go over the rear dowel.

The correct position for an active lever is pointing toward you. If you pull the lever down too far it will interfere with the operation of the beater.

10. Install the beater. Place the beater frame onto the bolts that are screwed to the inside of the loom frame. The wing nuts on the beater should be facing forward. To insert the reed into the beater, loosen the two wing nuts and raise the top of the beater, place the reed in the slot, slide the top of the beater down and secure the wing nuts. Be sure to center the reed in the beater.

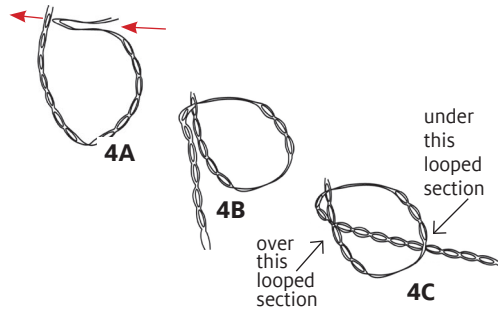


FIGURE 4: LEVER CORD KNOT

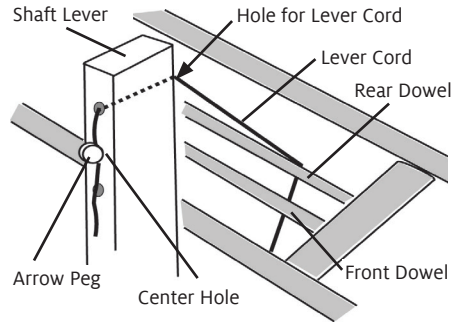


FIGURE 5: LEVERS

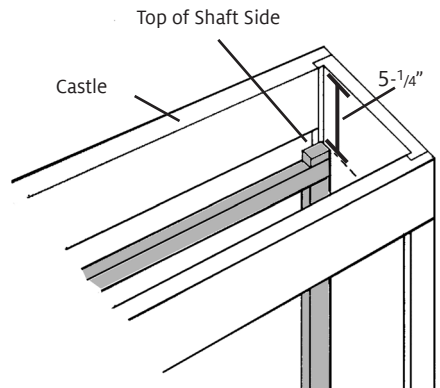


FIGURE 6: SHAFTS/CASTLE