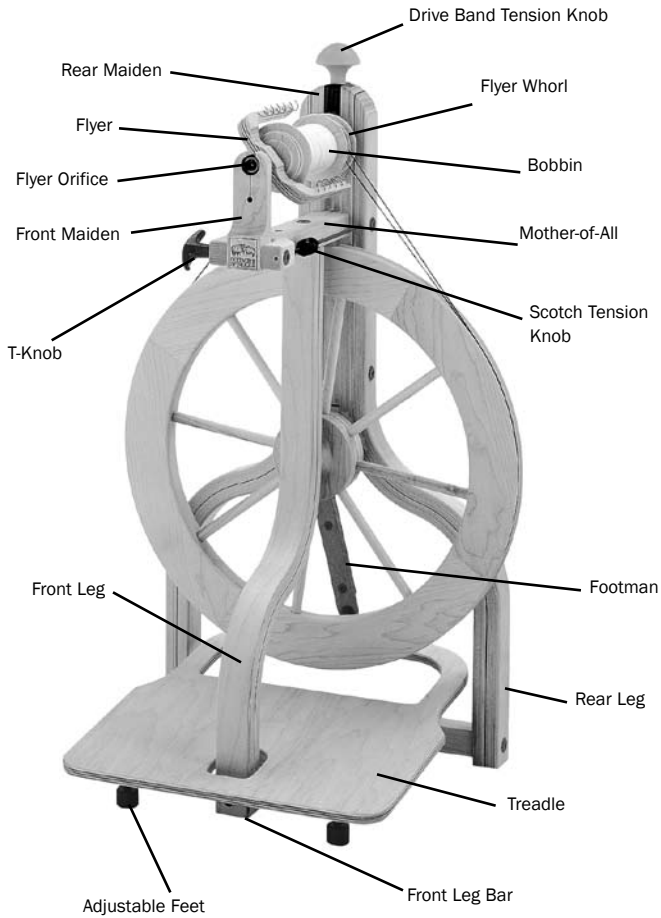


Instructions, Maintenance and Warranty

Single Treadle Wheel



Instructions and Maintenance

We are pleased that you have chosen one of our Schacht Spinning Wheels, and trust that it will give you many fruitful hours of spinning. We have taken great care in the design of our wheels to make them efficient and sturdy, as well as aesthetically pleasing. Our wheels are constructed using traditional woodworking joinery, following the concept that form follows function. We feel that good design and quality craftsmanship, along with regular maintenance, ensures that your wheel will endure.

Each part has been specially designed with function in mind. During manufacturing, every part is inspected for quality, and the final assembly has been done by a skilled craftsperson. Should you have any questions about the quality of the work or the materials, please do not hesitate to contact your dealer or our customer service department directly.

Your Schacht Spinning Wheel is a precision tool, having many moving parts that require regular care and maintenance. The better you understand your wheel, the more able you will be to take advantage of its many features.

Please read this booklet before you start spinning on your wheel.

Unpacking your wheel

Unpack the accessory boxes and make sure you have all the parts below:

Large Box:

- 1-Lazy Kate
- 3-Lazy Kate bobbin rods
- 3-bobbins
- 1-carrying strap

in small bag:

- 1-threading hook
- 1-4mm hex wrench
- 1-5mm hex wrench
- 3-black retainer rings for bobbin rods
- 2-safety walk discs
- 1-brake tension spring and cord
- 1-extra length of drive cord

Small box:

- 1-bobbin
- 1-flyer
- 1-flyer whorl
(2nd whorl is attached to the back of the rear maiden)

Double treadle wheel only:

- 2-treadles with treadle yokes

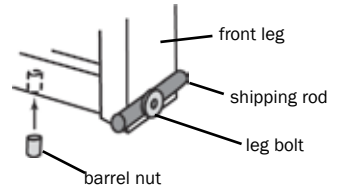
Attached to treadle yokes:

- 2-cotter pins
- 2-treadle yoke clevis pins
- 4-white nylon washers

Attaching the front leg bar

Using the 4mm hex wrench, remove the leg bolt and the shipping rod from the groove in the front leg.

Position the front leg bar in this groove and attach it using the leg bolt and barrel nut you just



removed.

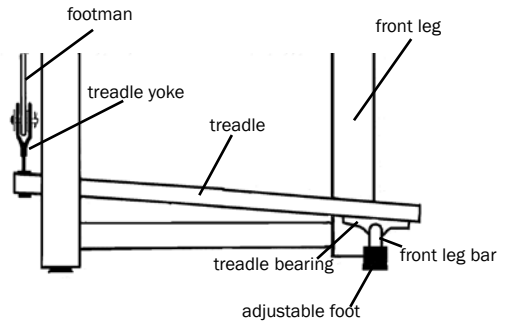
Attaching the treadle on the single treadle wheel

Place the plastic treadle bearings on the front leg bar so that the treadle bearings fit to the outside of the metal clips that are on

the front leg bar. Place a piece of wood on the treadle directly over the bearing, and set the bearing in place with a firm blow with a hammer. The treadle bearing will snap onto the leg bar.

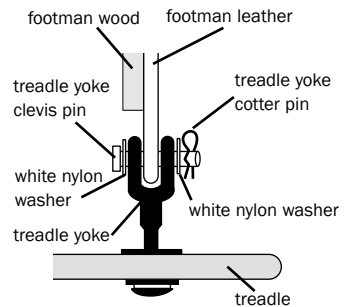
Attaching the treadles on the double treadle wheel

Place the treadles in position on the front leg bar so that the treadle bearings fit to the outside of the metal clips that are on the front leg bar. Push down hard on each treadle until the bearings snap onto the leg bar. A sharp blow with the heel of your hand or a light tap with a hammer on a piece of wood placed on the treadle over the bearing may be needed.



Attaching the footman (DT wheels only)

Attach the footman that is closer to the front of the wheel to the shorter treadle and the other footman to the longer treadle. The cotter pins, treadle yoke clevis pins and the white nylon washers are placed in the treadle yoke as they should be installed. Note their positions, then remove them. Line up the holes in the footman and the treadle yoke. Place a washer on one of the treadle yoke clevis pins and slide the pin through both the yoke and footman from the side of the footman with the wood piece. Place another washer on the pin and secure by inserting a cotter pin through the clevis pin. See the illustration at right. Repeat for the other treadle.



Adjusting the treadle height

This adjustment is only necessary if your treadle is either rubbing the drive wheel or hitting the rear leg cross support. To adjust the treadle height, remove the cotter pin from the treadle-yoke pin and pull the treadle-yoke pin out of the treadle yoke. Rotate the yoke clockwise to raise the treadle and counterclockwise to lower the treadle. Make only two or three turns and reassemble the footman and treadle yoke. Repeat this adjustment until you are satisfied with the position of the treadle.

Adjusting the front legs

The front legs of your spinning wheel can be adjusted to accommodate uneven floors. Simply turn the plastic feet clockwise or counterclockwise to shorten or lengthen the legs. The grey safety walk disks provided with your wheel are to be placed on the front adjustable feet for spinning on hard surfaces.

Installing the flyer assembly

Loosen the front maiden T-knob about one turn. Pivot the front maiden forward. Insert the flyer-bobbin-whorl assembly fitting the small end of the flyer shaft into the rear maiden bearing. Be sure to lift the drive band up and over the bobbin and whorl pulleys. Pivot the front maiden up and fit the flyer orifice into the front maiden bearing. Retighten the T-knob.

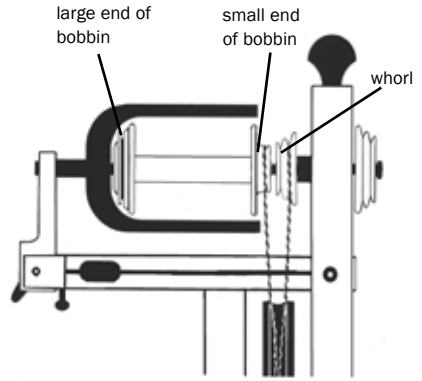
Changing bobbins

Loosen the front T-knob on the maiden about one turn. Hold the flyer with one hand and pivot the front maiden forward until the flyer orifice is out of the front maiden bearing. Hold the drive band up and out of the way as you pull the flyer towards you until the flyer shaft is out of the rear maiden bearing. Remove the flyer whorl. (Unlike most spinning wheel flyer whorls, that screw onto the flyer shaft, our quick-attach whorls need only to be pushed on and pulled off the square part of the flyer shaft.) Remove the bobbin and replace it with another one. If you are spinning in double drive mode, face the small end of the bobbin toward the flyer whorl; in Scotch tension mode, the large end of the bobbin faces the flyer whorl.

Double drive mode

We have shipped your wheel set up for double drive mode, with a medium speed flyer whorl. (The fast speed whorl is attached to the wheel behind the rear maiden.) For double drive mode, the small end of the bobbin faces the flyer. Place one loop of the drive band over the small end on the bobbin and the other loop over one of the grooves (pulleys) of the flyer whorl.

Adjust the tension on the drive band by turning the drive band tension knob (the mushroom-shaped knob on top). Start with a loose drive band. Begin to slowly treadle, tightening the tension knob until the flyer and bobbin both begin to turn. Now you can begin to spin. Turn the tension knob in a clockwise direction to increase the take-up of the yarn onto the bobbin or counter-clockwise to reduce the amount of take-up.

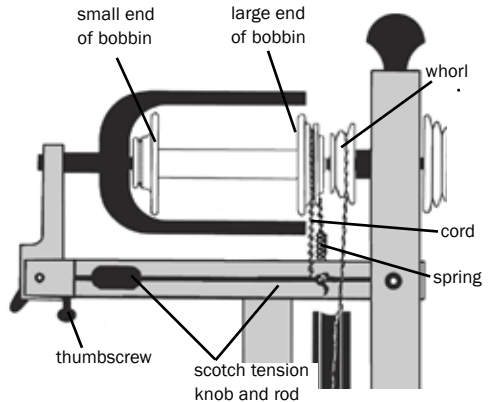


Scotch tension or flyer-lead mode

Place a bobbin on the flyer shaft with the large pulley end facing the flyer whorl. Put a flyer whorl on the flyer shaft. In Scotch tension mode, a single drive band is used. Place the band in a groove of the flyer whorl. (You can use the drive band double for this, although we recommend tying a single drive band.) The drive band should be taut but not overly tight.

Attach the Scotch tension spring to the spring bar on the left rear of the mother-of-all. Loop the cord over the large bobbin end and insert it into the front hole in the Scotch tension rod. Push about 1/2" of the cord through the hole. Loosen the thumbscrew slightly to allow the Scotch tension knob to turn. Turn the Scotch tension knob clockwise until the brake spring barely begins to stretch. Now you can start spinning. Turn the Scotch tension knob in the clockwise direction to increase the amount of take-up of your yarn onto the bobbin or counter-clockwise to decrease the amount of take-up.

When using the Scotch tension mode the yarn will wind onto the bobbin in the opposite direction than when using the double drive mode. This does not affect your spinning, but it is good to know this in case you should change spinning modes in the middle of a bobbin. If the Scotch tension rod becomes loose, you can tighten the black thumbscrew under the front of the mother-of-all.



Your drive band

Your spinning wheel comes with a pre-tied drive band (tied for double drive) and an extra length of drive band. For additional drive bands, use a soft cotton cord which is about 1/16 inch thick (an eight or ten-ply butcher or package twine works fine). A soft drive band allows you to use less tension than a harder, slicker cord, making treadling easier. While a soft drive band will wear quicker, we believe the gain in performance is worth the more frequent changing of drive bands.

Tying on a new drive band

Cut off the old drive band. For double drive mode: place a bobbin in the flyer with the small end facing the whorl. Use a medium size whorl. Turn the drive band tension knob until the flyer is parallel to the mother-of-all. Face the front of the wheel. Hang one end of the drive band cord over the bobbin groove so that it hangs down about 12 inches on the right side of the wheel. On the left side take the cord down and around the drive wheel and up and over the larger pulley of the whorl. Go down and around the drive wheel a second time. Bring the end of the cord up to the first end. Tie the two ends together using a square knot. Make sure that you tie the drive band very taut, since it will loosen some with use. Cut off the ends of the cord as close to the knob as possible.

For Scotch tension, use the same method above, except that only a single drive band is tied around the drive wheel and the whorl. If you are using the slow speed or extra slow speed whorls, it is best to tie a separate drive cord following the instructions above. Several drive cords can be left on the wheel at the same time. Just fold up the ones not in use and let them hang from the maiden or the front leg.

Using different flyer whorls

The type of fiber you are spinning and the kind of yarn you want to produce will determine which flyer whorl to use. Your spinning wheel comes with two flyer whorls: a Medium Speed Whorl with 9:1 and 11:1 ratios and a Fast Speed Whorl with 13:1 and 15 1/2:1 ratios. We offer four others (see the chart on the next page). The general rules to remember are: the larger (slower) the whorl, the thicker the yarn, the less the twist, and the greater the take-up. It is also important to remember that, in the double drive mode, depending on how much or how little tension you put on the drive band, you can increase or decrease the take up. In the Scotch Tension mode the amount of take-up is controlled by the amount of tension you put on the brake spring & cord. The greater the tension, the greater the take-up.

Whorl Ratio Chart

Whorl	Ratio
Extra Slow Speed	4:1 & 4 1/2:1
Slow Speed	6:1 & 7 1/2:1
Medium Speed (with wheel)	9:1 & 11:1
Fast Speed (with wheel)	13:1 & 15 1/2:1
*High Speed	17 1/2:1 & 19 1/2:1
*Super High Speed	18 1/2:1 & 22:1

Bobbins: Regular Bobbin

High Speed Bobbin (* = these whorls use HS bobbin)

The wood in your spinning wheel

We use hard maple and black walnut in the finest grades available. All our wood is kiln dried to assure its stability under a variety of conditions. Maple is a strong and beautiful hardwood that varies in color from pale cream to biscuit brown. It has a very fine grain that takes a high polish and is extremely resistant to abrasion. American black walnut grows wild as a tall tree of the rich bottomland forests throughout the central eastern and mid-western United States. It is also successfully cultivated in other parts of the U.S. and Canada. Black Walnut's deep brown heartwood beautifully accents the design of your wheel.

Wood is a natural breathing material, and like any natural material, it is affected by its environment. Avoid placing your wheel near direct heat sources such as heat

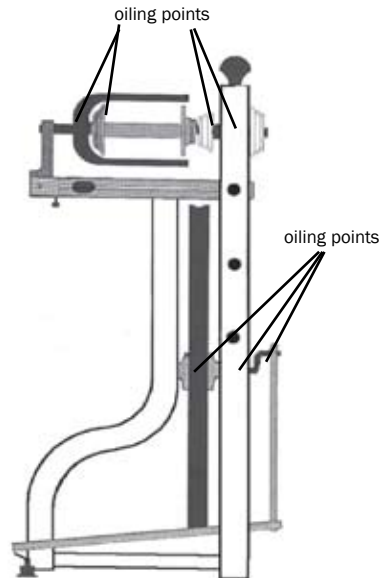
vents, wood stoves, space heaters, and direct sunlight. Heat concentrated on parts of the wheel can cause them to dry out and shrink. This shrinkage can cause weakness in the joints and the warping of parts. Likewise, place your wheel where it will be free of damp, moisture-laden air, as this can make wood swell and cause the moving parts to stiffen and function inefficiently.

The finish on your spinning wheel

The flyer of our spinning wheel has been lacquered to protect it from oil and moisture. The other parts of our wheel have been finished with Danish oil which penetrates into the wood, protecting the wood as well as the surface area. If you need to touch up parts of your wheel which have gotten chipped or scuffed, you can lightly sand the worn area and apply a small amount of finish using a soft lint-free rag. Use either Deft or Watco natural color Danish oil. Both are available at most hardware stores. Follow the directions on the container. Because of the dangers of spontaneous combustion, be sure to clean and dispose of the applicators and oily rags according to the manufacturer's instructions.

Lubricating the moving parts

Before leaving the factory, your wheel was lubricated and tested. It may have been awhile since then, so it is a good idea to oil your wheel before starting to spin. Use a drop of oil on the following parts every couple of hours while spinning: front maiden bearing, the rear maiden bearing, the bobbin bearings, both drive wheel crank bearings. Other parts may need occasional oiling. Use medium weight oil such as 20 or 30 weight motor oil.



The Industrious Lazy Kate

Our Lazy Kate has an adjustable tension control cord which helps prevent bobbins from rotating too fast when releasing yarn. Place the bobbins in the Lazy Kate with the large bobbin end facing the tension cord. The handle ends of the bobbin rods should be on the side opposite the tension cord. Slip the tension cord over the grooves in the large pulley. Turn the control knob to increase or decrease the tension on the bobbins. Attach the small rubber rings to the tip ends of the bobbin rods to keep the rods in place.



Other Spinning Wheel Accessories

Spinning Wheel Cart

The neatest way ever to travel with your spinning wheel, the Schacht Spinning Wheel Cart is designed exclusively for the Schacht Spinning Wheel. The Cart comes with special hardware that replaces the bolts in the bottom of the spinning wheel rear legs. The rubber wheels give a smooth ride and they attach and detach quickly.



Oil Bottle

This is the perfect bottle for getting oil to all of those out of the way places on spinning wheels. It is useful for all kinds of household oiling jobs, too.



Dizzy Yarn Gauge

With both 1/2" and 1" measure, this gauge can be used as a spinner's yarn gauge, or a weaver's sett gauge. The hole in the center serves as a diz for making a consistent sliver for spinning.



Carders

We offer a wide selection of hand carders. They are made of maple. A molded lip on the rear edge of the paddle protects the card clothing from wear. The flared handle is very comfortable and reduces the amount of effort required in carding. Our wool carders are available in 72 and 112 points per square inch. Our 208 p.s.i. cotton carders are excellent for fine fibers, including cotton angora, and cashmere. Our flick carder, with 72 p.s.i., is a small single carder and is used to separate and tease fibers.



Spindles

Our drop spindles are available with 2.5", 3" or 4" diameter whorls, and come with a brass hook so they can be used for either top- or bottom-whorl spinning. These spindles are good for spinning medium to long fibers, especially wool.



2.5" (1.1 oz.)



4" (3 oz.)



3" (2.2 oz.)



Our pear tahkli support spindle has a hooked brass shaft and a maple bob. This spindle is excellent for spinning cotton and short, downy fibers.



Our Navajo spindle has a 30" tapered shaft and a 4 1/2" maple whorl.

Maintenance Notes

Your wheel is both a carefully engineered piece of equipment and a fine piece of furniture. A regular schedule of care and maintenance will ensure you and your Schacht Spinning Wheel many productive years together.

- * Periodically clean excess fibers from all parts of your wheel.
- * Periodically lubricate the moving parts.
- * Touch up worn or chipped areas with fine sandpaper and Danish oil.
- * Check screws for tightness. (Changes in the environment and the action of spinning can cause screws and nuts to loosen over time.)

The serial # of your wheel is_____.

The serial number of your spinning wheel is stamped into the wood on the rear of the mother-of-all. (If the serial number on your wheel doesn't agree with the number written on this page, please reference the number stamped on your wheel).

Two Year Limited Warranty

Your new Schacht Spinning Wheel is warranted, to the original consumer purchaser, by Schacht Spindle Company, Inc. to be free of defects in material and workmanship. Schacht Spindle Company's obligation under this Warranty shall be limited to the repair or replacement of any part or parts which may prove defective within two (2) years following the date of original purchase by the consumer, and which Schacht Spindle Company's examination shall disclose to our satisfaction to be thus defective.

If a problem with this Schacht Spindle Company product develops during the warranty period, first contact the Schacht Spindle Company dealer from whom you made the purchase. If the problem cannot be handled through your dealer, then contact our customer service department. At our option, it may be required that the product be returned to our factory freight prepaid for inspection and repair and/or replacement.

This Warranty covers normal consumer use and does not cover damage which occurs in shipment or damage which results from alteration, accident, misuse, abuse, or neglect.

This Warranty gives you specific legal rights, and you may also have other rights which vary from state to state.