

BABY & MIGHTY WOLF

ADDING FOUR TREADLES



Baby Wolf



Mighty Wolf



Find out more at schachtspindle.com
Schacht Spindle Company 6101 Ben Place Boulder, CO 80301
p. 303.442.3212 800.228.2553 f. 303.447.9273

© 2017 Schacht Spindle Company, Inc.

07.17

BABY & MIGHTY WOLF

ADDING FOUR TREADLES

BABY WOLF PARTS

- 4 – treadles
- 3 – regular spacers
- 1 – medium spacer
- 1 – small spacer
- 1 – treadle aid bar
- 1 – treadle aid dowel
- 26 – tie-ups
- 10 – rubber bands
- 2 – 1-1/4" screws for treadle aid bar

MIGHTY WOLF PARTS

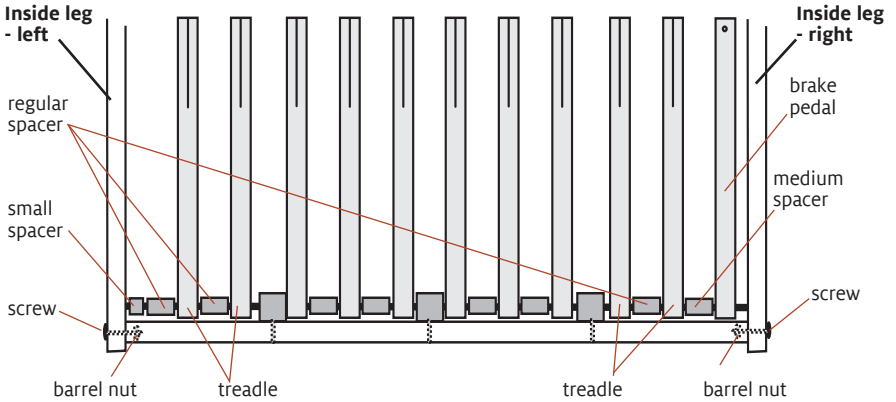
- 4 – treadles
- 2 – regular spacers
- 2 – treadle blocks
- 2 – 1-1/2" screws
- 16 – tie-ups

REQUIRED TOOLS

- Phillips screwdriver
- Drill and 1/8" drill bit (Baby Wolf looms)

1. Remove the machine screws from the bottom of both inside legs (where the treadle assembly is attached). Spread the legs apart and remove the treadle assembly. Be careful not to lose the barrel nuts the machine screws were attached to. (Located on the underside of the treadle support.)
2. Remove the screw holding the treadle block in place next to the brake. Slide off the brake pedal and treadle block.
3. Slide in new treadles and spacers on each side in order as shown in figure 1 for Baby Wolf, figure 2 for Mighty Wolf.
4. Replace the treadle assembly by spreading the inside legs apart and lining up the leg holes with the pins on the ends of the treadle supports. Secure by screwing the machine screws back into the barrel nuts. (You will need to hold the barrel nuts in place as you begin to tighten the screw.) ■

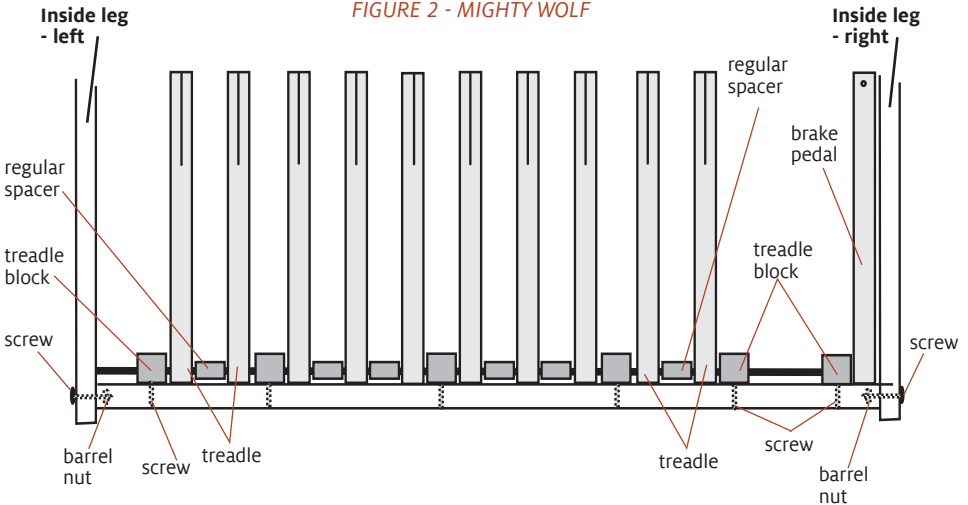
FIGURE 1 - BABY WOLF



On the left side, slide in a treadle, a regular spacer, another treadle, another regular spacer, and the small spacer.

On the right side, slide in a treadle, a regular spacer, another treadle, the medium spacer, and the brake pedal.

FIGURE 2 - MIGHTY WOLF



On the left side, add a treadle, a regular spacer, another treadle, and a treadle block. Secure the treadle block with a screw.

On the right side, add a treadle, a regular spacer, another treadle, two treadle blocks, and the brake pedal. Secure the treadle blocks with screws.

INSTALLING THE TREADLE AID BAR (BABY WOLF LOOMS ONLY)

For certain unbalanced weaves (i.e. 5/1 figurative boundweave twill, lace weaves, etc.) it is helpful to prevent shafts from floating when many treadles are tied up to just one shaft.

1. Locate the rear cross brace at the back of the loom (figure 3).
2. Mark the locations of the holes for the treadle aid bar according to the measurements in figure 4.
3. Drill the holes using a 1/8" drill bit.
4. Attach the treadle aid bar using the 1-1/4" screws.
5. Starting at one end of the treadle aid bar, push a treadle aid cord up through one of the holes (an opened paper clip can be most helpful with this step) and then over the 1/4" dowel. Continue across the entire treadle aid bar. Attach the treadle aid cords to the ends of the treadles in the same manner as you attached the tie-up cords that control the lamms. (Figure 5)
6. We recommend using a treadle aid cord on all of the treadles. ■

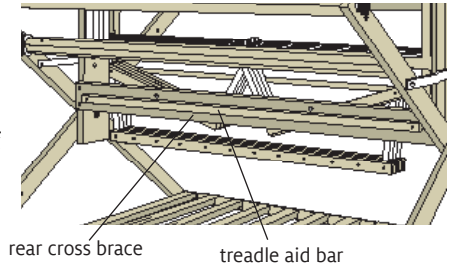


FIGURE 3 - REAR CROSS BRACE AND TREADLE AID BAR

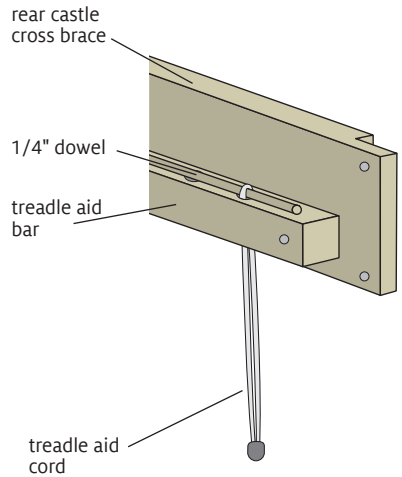


FIGURE 5 - SIDE VIEW OF TREADLE-AID

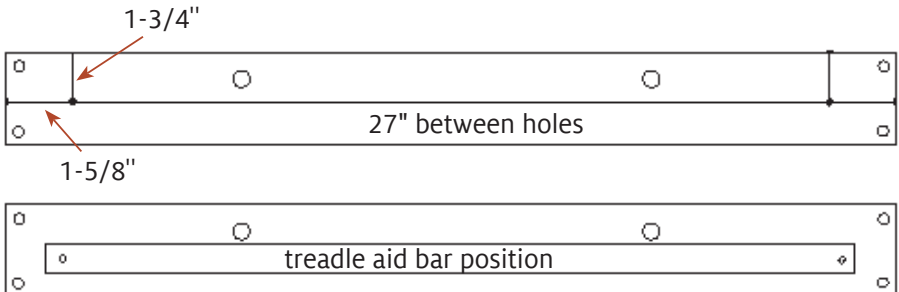


FIGURE 4 - LOCATION OF HOLES FOR TREADLE AID BAR